

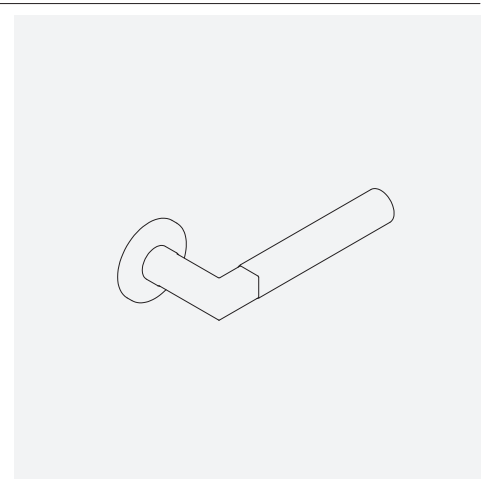
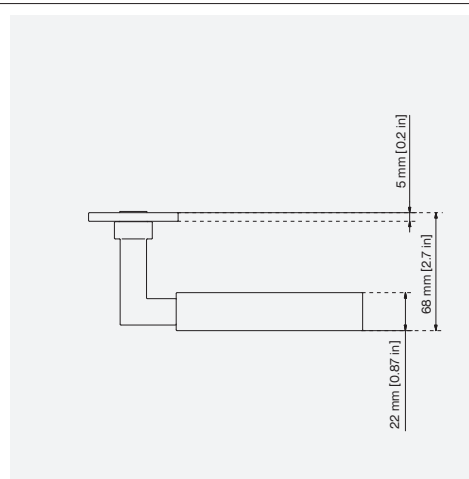
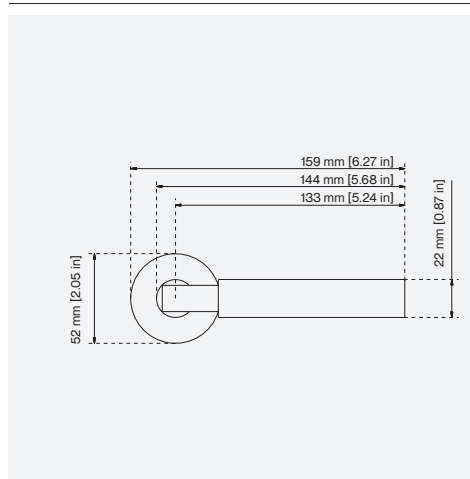


## Marin Door Lever

CODE	PROJECTION	LENGTH
LH.005	68 mm [2.7 in]	159 mm [6.27 in]

Designed in our Los Angeles studio, the Marin Door Lever features simple concentric circles creating a beautiful contemporary statement.

Transitioning from the shanks square section to cylindrical, provides true homage to the idea form and function. Made from the finest grade of solid brass, all pieces are then carefully hand finished in all the standard Björn Collection finishes.



Please note this drawing is the confidential property of Björn Collection and must not be copied or disclosed to any third party without written permission.