

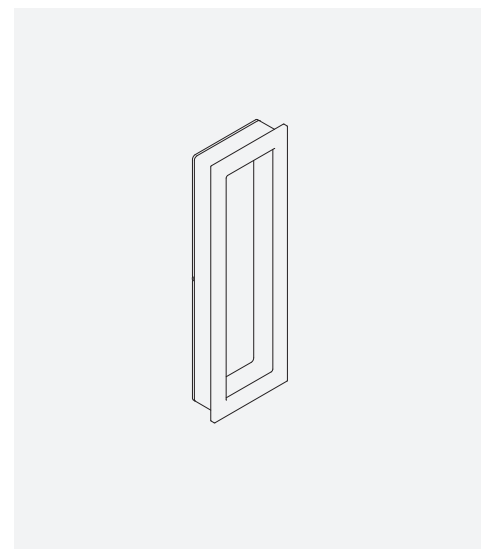
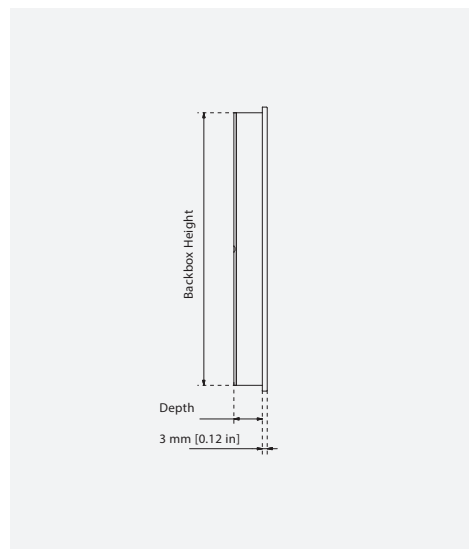
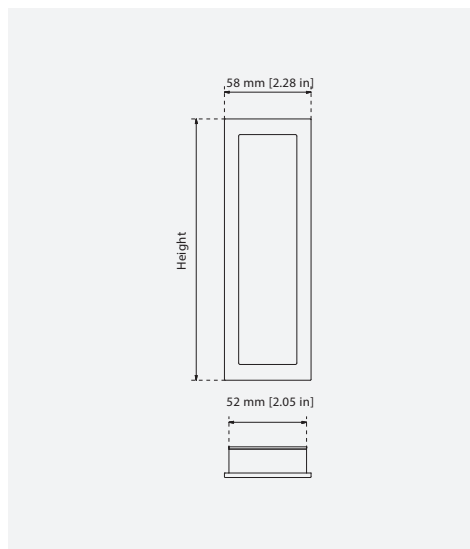


Recessed Pocket Door Pull

CODE	Height	Backbox Height	Depth
FP.001.01	175 mm [6.89 in]	168 mm [6.61 in]	18 mm [0.71 in]
FP.001.02	300 mm [11.81 in]	293 mm [11.53 in]	18 mm [0.71 in]
FP.001.03	175 mm [6.89 in]	168 mm [6.61 in]	10 mm [0.4 in]
FP.001.04	300 mm [11.81 in]	293 mm [11.53 in]	10 mm [0.4 in]

The FP.001 Door Pull may be used on both passage pocket and passage swing doors.

While initially specified for modernist interiors, designers have recently embraced these door pulls for traditional and transitional interiors. Made from the finest grade of brass, all pieces are then carefully hand finished in all the standard Björn Collection finishes.



Please note this drawing is the confidential property of Björn Collection and must not be copied or disclosed to any third party without written permission.