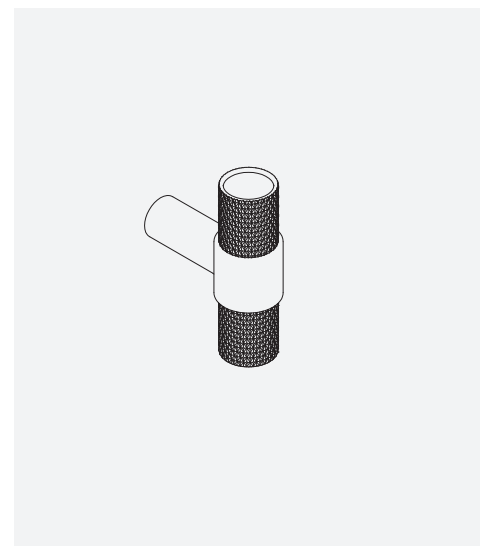
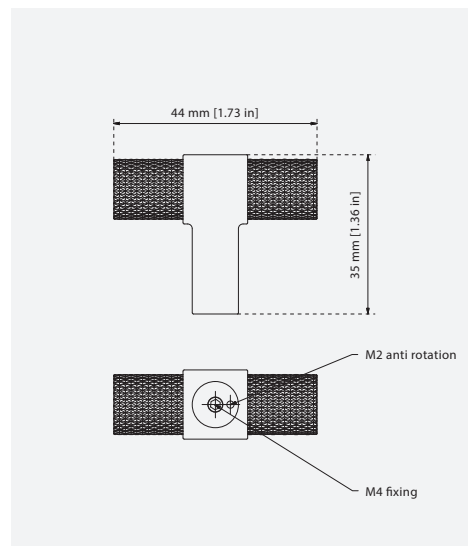
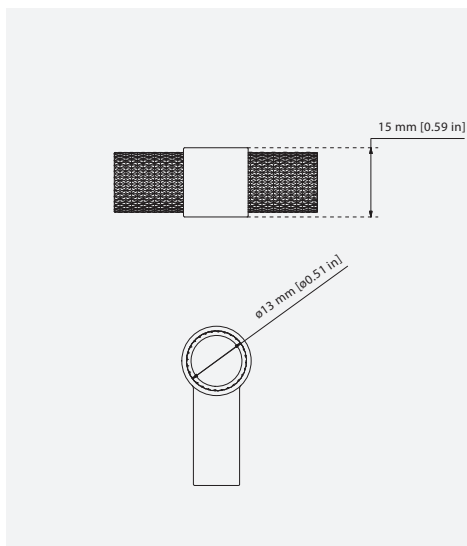




## Rosa Cabinet Pull with Knurling

CODE	Width	Projection
CP.001	44mm [1.73 in]	35mm [1.36 in]

Designed in our Los Angeles studio, the Rosa collection was inspired by the clasped stem concept. With the shank offering as the clasp, the cylindrical section slides through and is held in place providing a strong yet elegant design. Adding circular motifs at the end of each piece really expresses the attention to detail. We experimented with many different textures on the grip of the handle and our favorite was the fine diamond knurl. Made from the finest grade of solid brass, all pieces are then carefully hand finished in all the standard Björn Collection finishes.



Please note this drawing is the confidential property of Björn Collection and must not be copied or disclosed to any third party without written permission.